

GENERAL DESCRIPTION OF MODEL HRC-24-8

TECHNICAL NOTE

April 18, 2005



Copyright © 2005 by NAL Research Corporation

The specifications in this document are subject to change at NAL Research's discretion. NAL Research assumes no responsibility for any claims or damages arising out of the use of this document or from the use of the HRC-24-8 based on this document, including but not limited to claims or damages based on infringement of patents, copyrights or other intellectual property rights. NAL Research makes no warranties, either expressed or implied with respect to the information and specifications contained in this document. Performance characteristics listed in this document are estimates only and do not constitute a warranty or guarantee of product performance.

1.0 PURPOSE

Model HRC-24-8 is a DB25 data kit designed to work with any of the NAL Research A3LA-D series as shown in Figure 1. The HRC-24-8 allows direct attachment of a DPL handset, a 9-pin RS-232 cable and DC power input to the A3LA-D series. The DC input provides power to both the A3LA-D series as well as to the DPL handset. The DC power source must be capable of producing a minimum current of 2.6A at 4.4VDC.



Figure 1. DB25 data kit model HRC-24-8.

2.0 SPECIFICATIONS

General Specifications (see Figure 4)

Dimensions: 1.52" L x 2.78" W x 0.88" D (3.86 cm x 7.07 cm x 2.23 cm)
Weight: 0.17 pounds (77g)

Physical Connectors

Connectors: RJ-45 for DPL handset attachment
DB-25 for modem attachment
DB-9 for data terminal equipment (DTE) attachment
DC Power Plug for 4.0VDC to 4.8VDC power input

DB-9 Connector	DB-25 Connector
1	10
2	13
3	9
4	19
5	23
6	21
7	8
8	22
9	7

Table 1. Connections between DB-9 and DB-25 connectors.

RJ-45 Connector	DB-25 Connector
1	15
2	23
3	1
4	5
5	18
6	20
7	3
8	4

Table 2. Connections between RJ-45 and DB-25 connectors.

DC Power Plug	DB-25 Connector
(+)	4, 16
(-)	3, 17

Table 3. Connections between DC power plug and DB-25 connector.

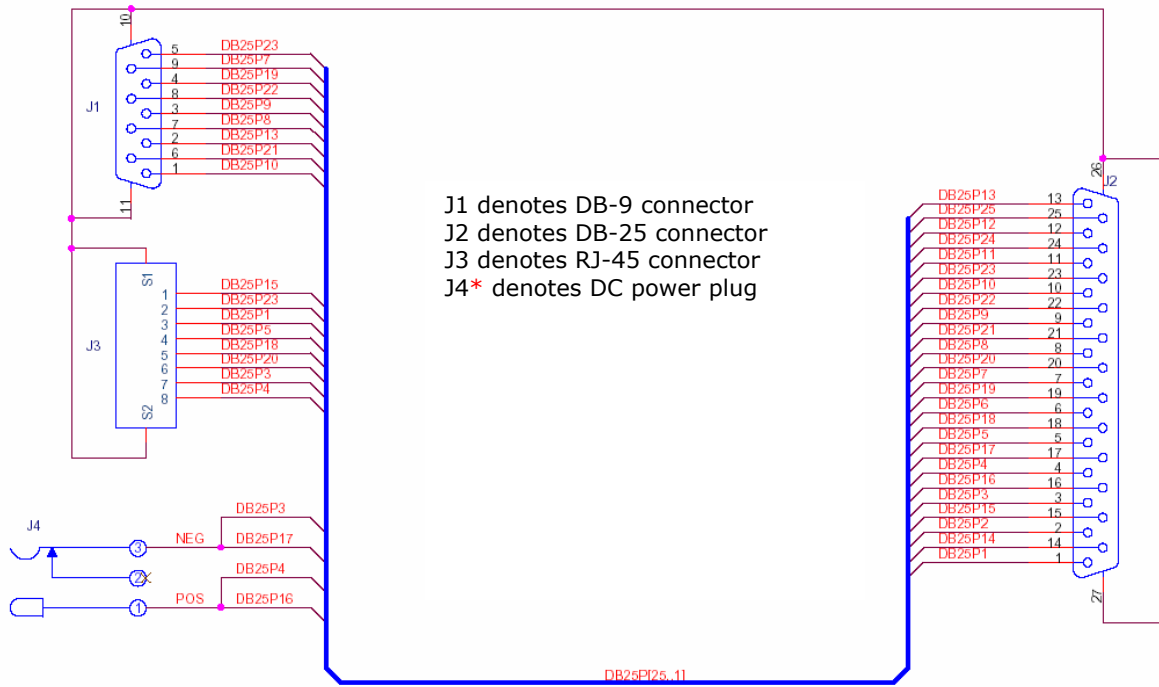


Figure 2. Wiring diagram of the HRC-24-8 DB25 Data Kit.

***CAUTION:** The positive (+) DC power input should be soldered to the center pin of the Mouser 171-0725 connector. The negative (-) DC power input should be soldered to the outside pin of the Mouser 171-0725 connector (Figure 3). Before connecting the DB25 Data Kit to a modem, user is recommended to measure voltage across pins 4 and 3. The voltage across these two pins (pin 4 is positive and pin 3 is ground) should be between 4.0VDC and 4.8VDC.

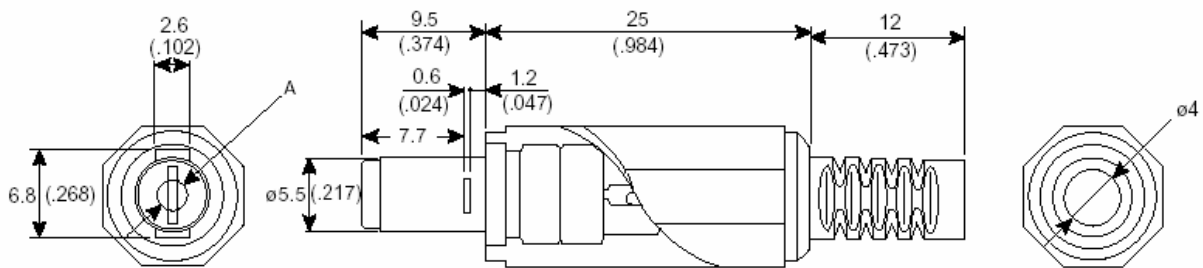


Figure 3. Mouser DC power plug model 171-0725.

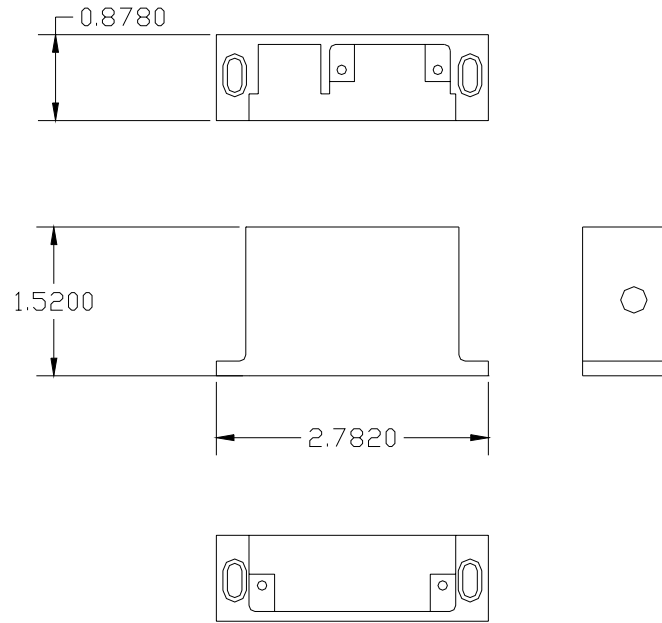


Figure 4. Dimensions of HRC-24-8.