

Rod Antenna Model SAF5350-C

General Description

Model SAF5350-C is a passive L-band antenna designed to operate with the NAL Research satellite modems and tracking terminals. It provides continuous coverage from 1610 to 1626.5 MHz specifically for the Iridium network. The SAF5350-C is suitable for harsh environment and long term operations. It is impact, UV, chemical and jet fuel resistance.



Specifications

Mechanical

Dimensions: 3.5" D x 4.69" H
(8.89 cm x 11.91 cm)
Weight: 5.15 oz. (146 g)
Finish: Skydrol Resistant Polyurethane
Enamel and Base Iridite Per
MIL-C-5441
Color: Gloss White #17925
Lusterless Gray #36320
Olive Drab Green #34031
Lusterless Black #37038
Connector: TNC Female Connector
(Option: TNC, SMA, N, N
Bulkhead, MCX, MMCX or Cable)
Material: 6061-T6 Aluminum Alloy Base
Composite Radome

Environmental

Operating Temperature: -67°F to +185°F
(-55°C to +85°C)
Operating Altitude: 70,000 ft (21 km)
Vibration: > 30 G's
Leakage: Hermetically Seal

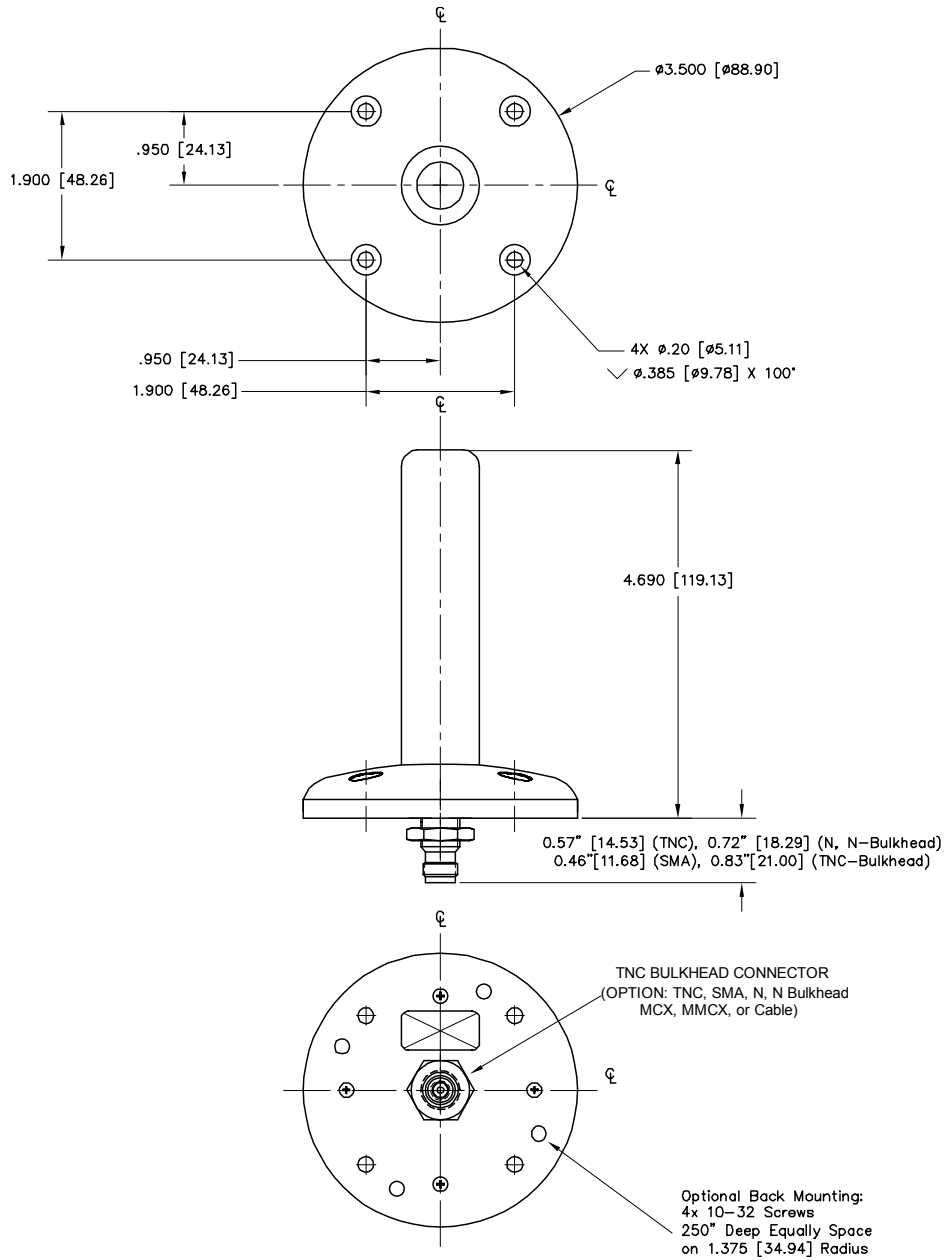
Electrical

Frequency: 1610 to 1626.5 MHz
Radiation Pattern: Hemispherical
Polarization: Right Hand Circular
VSWR: Less than 1.5 : 1
Gain (dB): 90° Zenith +1.9
10° Elevation 0.0
20° Elevation +0.9
30° Elevation +1.6
45° Elevation +2.0
70° Elevation +2.0
Axial Ratio: 2 dB
Lightning Protection: DC Grounded
Cable loss between
antenna and modem: Must be kept < 3dB

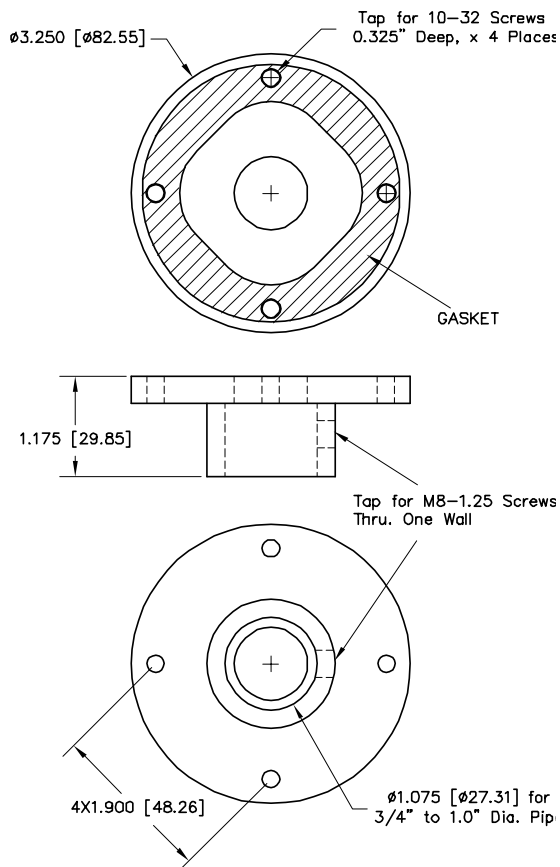
Designed To

FAA TSO-C144, DO-160D, D0-228, MIL-C-5541, MIL-E-5400, MIL-I-45208A, MIL-STD-810 and SAE J1455

NOTE: All dimensions are in inches [mm]



Antenna Mount (MTR-1)



Antenna Mount (MTR-2)

