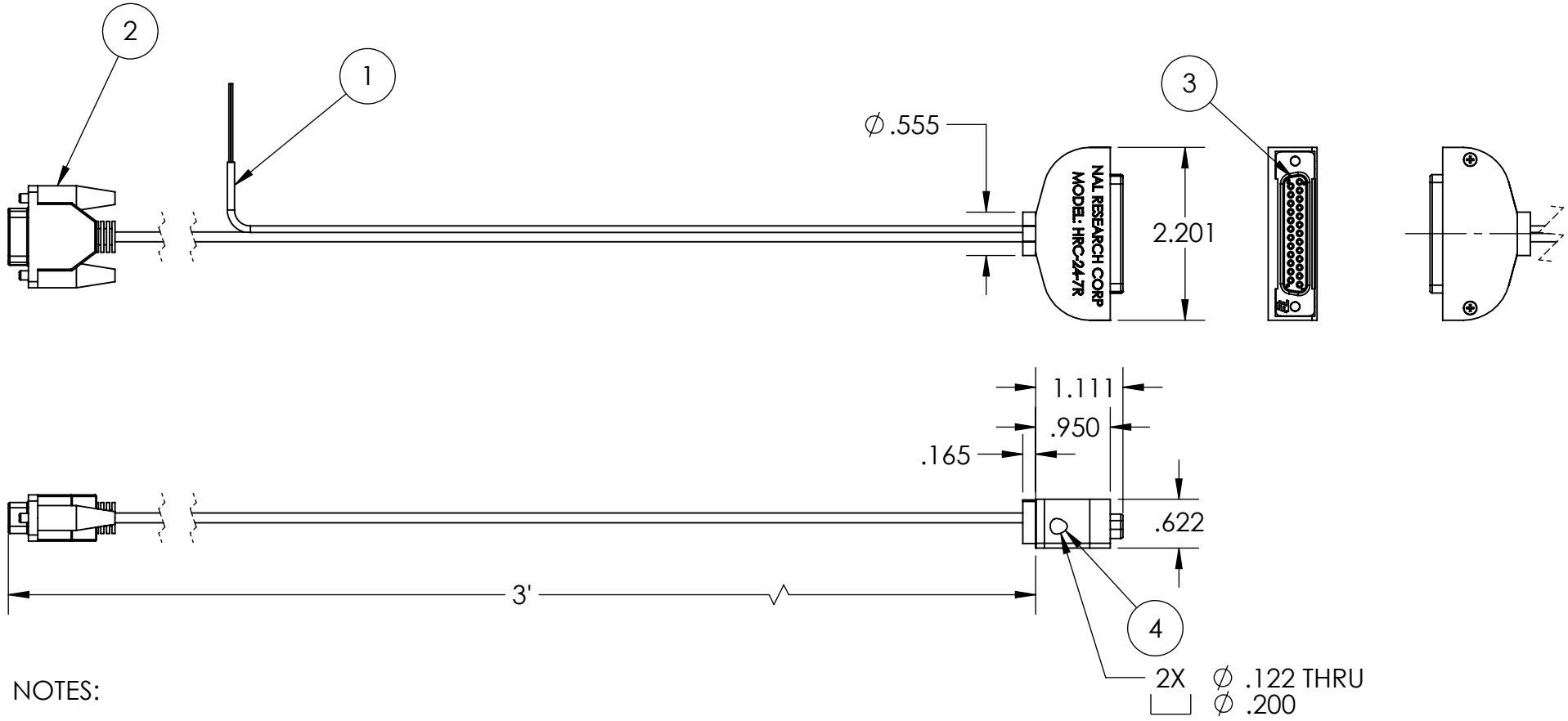


REVISIONS				
ZONE	REV.	DESCRIPTION	DATE	APPROVED
	1.0	INITIAL RELEASE	11/15/2012	DG



NOTES:

1. 5-32 VDC INPUT (+) RED (GND) BLACK
2. SERIAL DATA CONNECTOR (FEMALE DB-9)
3. DATA/POWER CONNECTION TO MODEM (FEMALE DB-25)
4. MOUNTING HOLES TO MODEM. 2X 4-40 SOCKETHEAD SCREWS PROVIDED

2X ϕ .122 THRU
 \square ϕ .200

THIS DOCUMENT CONTAINS COMPANY PROPRIETARY AND/OR CONFIDENTIAL INFORMATION. IT MAY NOT BE REPRODUCED OR INFORMATION HEREIN DISCLOSED WITHOUT WRITTEN CONSENT OF NAL RESEARCH CORPORATION

UNLESS OTHERWISE SPECIFIED: DIMENSIONS ARE IN INCHES TOLERANCES: FRACTIONAL DECIMALS ANGLES XX ± .01" .XXX ± .005"	CONTRACT NO.		NAL RESEARCH CORP.			
	APPROVALS	DATE				
	MATERIAL	DESIGNER E. RODERICK	11/15/12	DRAWING NAME HRC-24-7R		
	FINISH	CHECKER				
	APPROVED: PRODUCTION		A	CAGE CODE	DWG. NO. 92377	REV 1.0
	APPROVED: ENGINEERING D. GAIBROIS	11/15/12	SCALE: 1:2		SHEET: 1 OF 1	