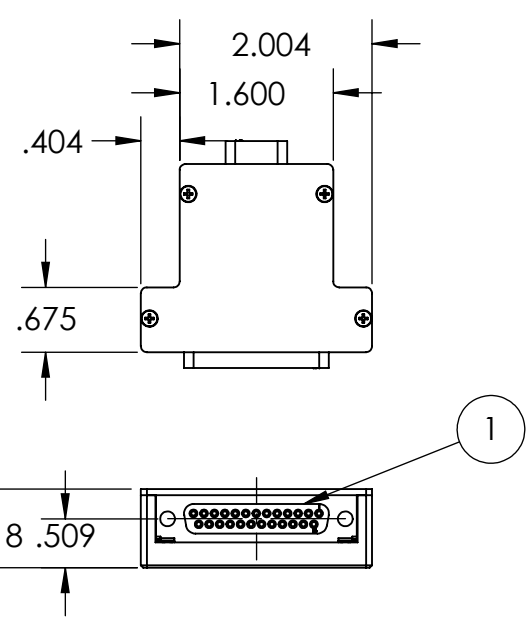
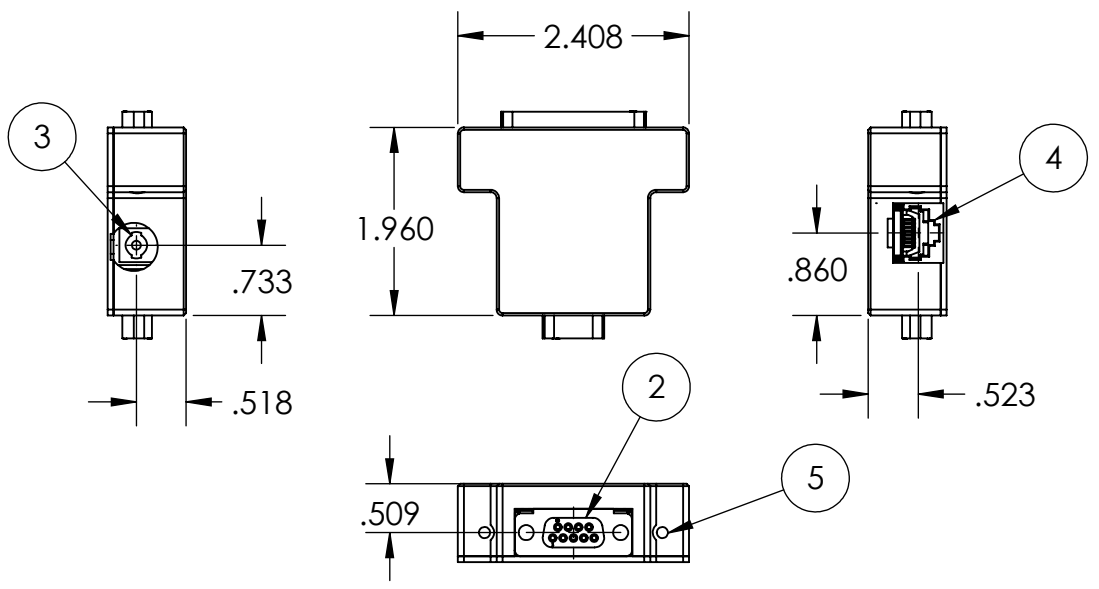


REVISIONS				
ZONE	REV.	DESCRIPTION	DATE	APPROVED
	1.0	INITIAL RELEASE	11/15/2012	DG



NOTES:

1. STANDARD DB25 (FEMALE)
2. STANDARD DB9 (FEMALE)
3. LOCKING DC BARREL PLUG. MATES WITH KOBICONN PN: 171-0725-EX
4. STANDARD RJ45 JACK
5. MOUNTING HOLES TO MODEM. 2X 4-40 SOCKETHEAD SCREWS PROVIDED

UNLESS OTHERWISE SPECIFIED: DIMENSIONS ARE IN INCHES TOLERANCES: FRACTIONAL DECIMALS ANGLES XX ± .01" .XXX ± .005"	CONTRACT NO.		NAL RESEARCH CORP.			
	APPROVALS	DATE				
MATERIAL	DESIGNER	11/15/12	DRAWING NAME HRC-24-8R			
	CHECKER					
FINISH	APPROVED: PRODUCTION		A	CAGE CODE	DWG. NO. 92378	REV 1.0
	APPROVED: ENGINEERING	11/15/12		SCALE: 1:2		SHEET: 1 OF 1

THIS DOCUMENT CONTAINS COMPANY PROPRIETARY AND/OR CONFIDENTIAL INFORMATION. IT MAY NOT BE REPRODUCED OR INFORMATION HEREIN DISCLOSED WITHOUT WRITTEN CONSENT OF NAL RESEARCH CORPORATION