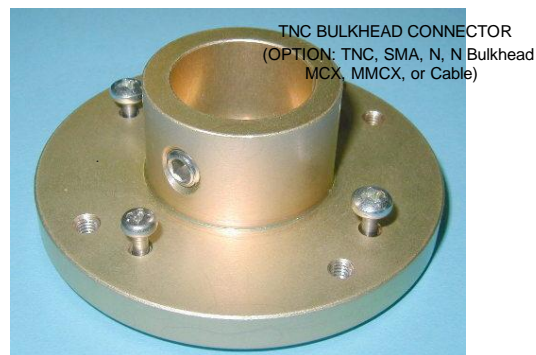
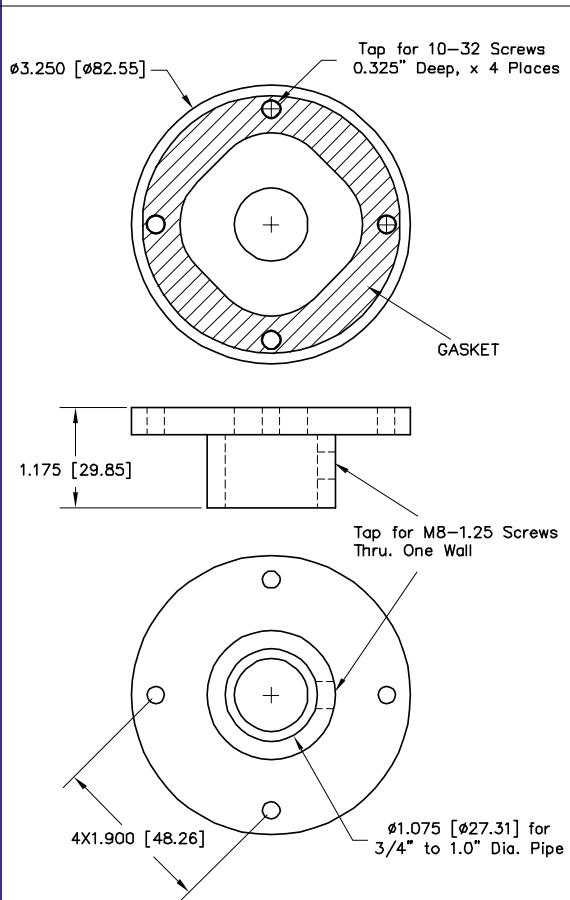


Antenna Mount Model MTR-1

General Description

Model MTR-1 is a mount designed for the antennas SAF5350-C, SAF5350-CX and SAF2040-B.



SIZE:	FREQ. BAND:	POLARIZATION:	LNA:	FILTER:
1: 2" SQ.	1625: Tx/Rx	LL: TX: LHCP, RX: LHCP	A1: WITH +23 dB LNA	
1.9: 1.9" SQ.	25: 2493 MHz	LR: TX: LHCP, RX: RHCPA2	WITH +43 dB LNA	
2: 2.6" DIA.	16: 1616 MHz	RL: TX: RHCP, RX: LHCPP	WITHOUT LNA	
3: 3.5" DIA.		RR: TX: RHCP, RX: RHCP		

NOTE: All dimensions are in inches [mm]

P/N: S53IR16RR-P-XTB-1